

1) Reference edge



### Basic features

Approval/Conformity	CE UKCA CCC WEEE
Basic standard	IEC 60947-5-1
Operating principle	1-4. Switch position: Mechanical
Version	Snap contact

### Display/Operation

Function indicator	1-4. Switch position: None
--------------------	----------------------------

### Electrical connection

Connection	M12x1-Flange male, 8-pin
Connection type	1. Switch position: Connector

### Electrical data

Continuous current	1-4. Switch position: 1.5 A
Rated operating voltage U <sub>e</sub>	1-4. Switch position: 30 V AC/36 V DC
Switching function mechanical	One NO and one NC Dual changeover galvanically isolated Double-interrupting
Switching rate	1-4. Switch position: 300/min

### Environmental conditions

Ambient temperature	-5...85 °C
IP rating	IP67

### Functional safety

B10d (EN ISO 13849-1)	BSE 30.0: 30 mil. switching cycles
-----------------------	------------------------------------

### Material

Housing material	Aluminium, Anodized
Housing material, surface protection	Anodized
Material contacts	1-4. Switch position: Silver, gold plated
Plunger material	1-4. Switch position: 1.4034 stainless steel

### Mechanical data

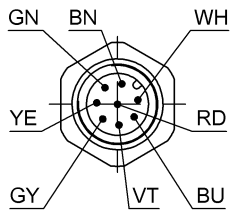
Approach direction	longitudinal, parallel to attachment surface
Approach speed	1-4. Switch position: 40 m/min
Dimension	79 x 60 x 63 mm
Distance cam - reference edge	1-4. Switch position: 4.50...5.00 mm
Flange, feed-through	None
Installation	Vertical
Life expectancy mechanical	1-4. Switch position: 30 mil. switching operations
Number of switching positions	4x Chisel Mechanical
Plunger spacing 1st switch position	12 mm
Plunger style	1-4th switch position: Chisel
Switch actuation force	1-4. Switch position: 20 N
Switching element	1-4. Switch position: BSE 30.0

Range/Distance

Reproducibility  
 Switch position spacing

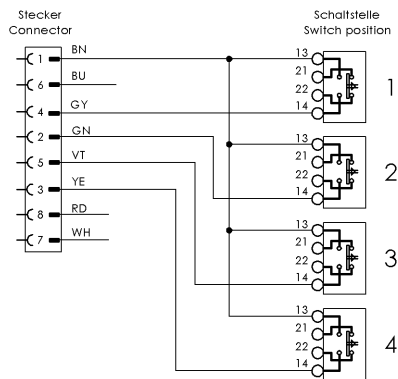
1-4. Switch position:  $\pm 0.002$  mm  
 12 mm

## Connector Drawings



View of connector side

## Wiring Diagrams



**ACHTUNG: Stecker ohne Schutzleiter!**  
**Schutzklasse III (VDE 0160)**

**Attention: No groundwire!**  
**Protection Class III (VDE 0160)**